

H-SERIES



LED TUNNEL LIGHTS



Overview

The ZGSM® H-Series LED tunnel lights are using PHILIPS LUMILEDS® luminous source, providing excellent lumen output, long-lasting stability and splendid sight.

The ZGSM H-Series LED tunnel lights have a high luminous efficiency and better service life. Provide 7 years warranty on luminaire.

Color Options

● Silver Gray

HIGH-EFFICACY LED LIGHT SOURCE



Philips Lumileds Luxeon TX
Greater than 135lm/W high efficacy, illumination grade LED light source.



Philips Lumileds 3030 2D
Greater than 150lm/W high efficacy, illumination grade LED light source.



Philips Lumileds 5050
Greater than 185lm/W high efficacy, illumination grade LED light source.

HIGH-END LED DRIVER (Two options)

+ NON-DIMMABLE



High-end Mean Well HLG Series LED driver, optimal stability, performance and lifespan.

+ DIMMABLE

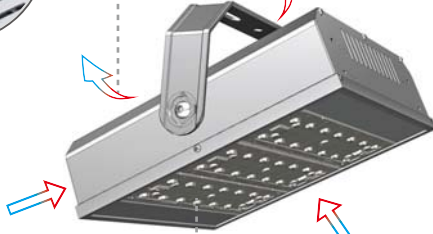


High-end Inventronics programmable LED driver, integrate dimming function and 6KV /10KV surge protection. Provide excellent performance and lifespan.

AIR CONVECTION EFFECT

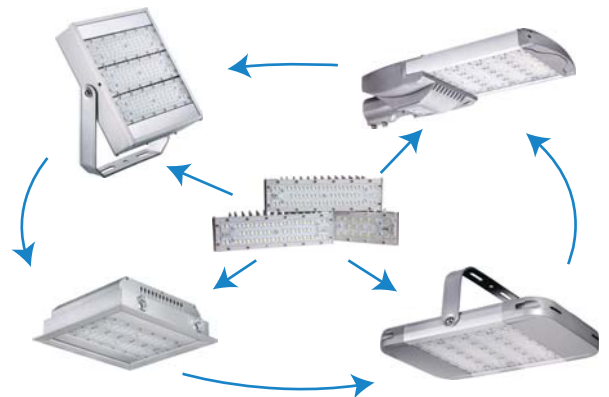


Enclosed but ventilation back design can not only keep the heat dissipation but also avoid laceration.

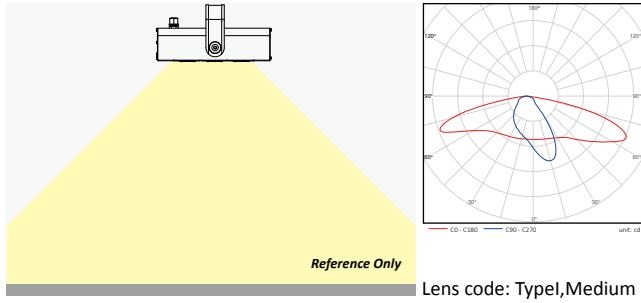


Gaps between the modules will increase the thermal dissipation rate and solve the problem of dust deposition.

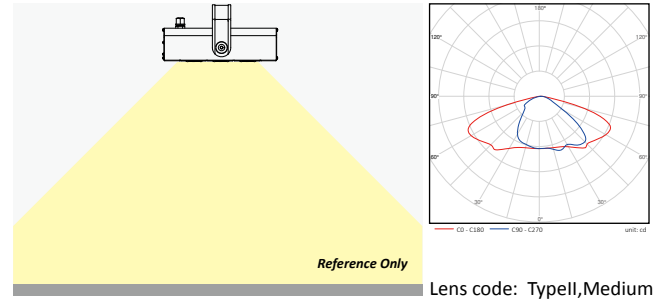
FLEXIBLE COMBINATIONS OF MODULES



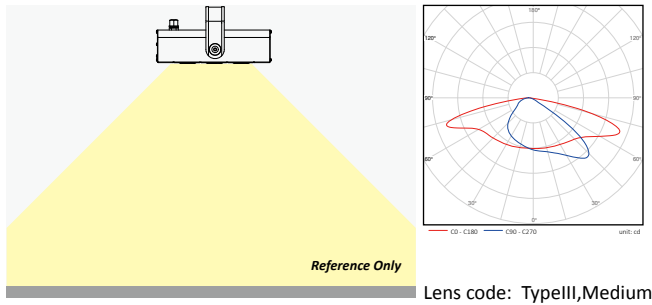
Optics



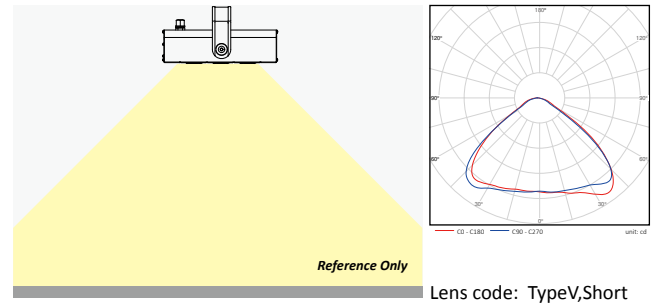
Applications:
Tunnel | Channel | Corridor | Cave



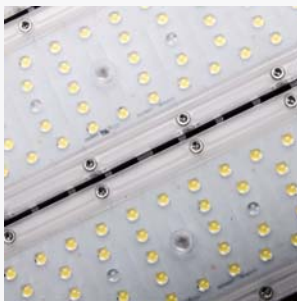
Applications:
Tunnel | Channel | Corridor | Cave



Applications:
Tunnel | Channel | Corridor | Cave



Applications:
Tunnel | Channel | Corridor | Cave



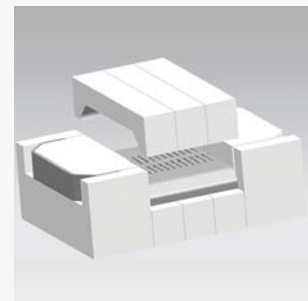
Professional lens design, to provide for the channel more efficient lighting.



Use M16 waterproof connector, avoid hard power damage.



The exquisite and innovated frame holder not only makes the installation more simple but also firmer.



A special tailor-made packaging designed to guarantee the highest protection of the lamp.



Use waterproof connector for internal wiring, safe, convenient & fast.



Innovative pluggable connector, clean & efficient.



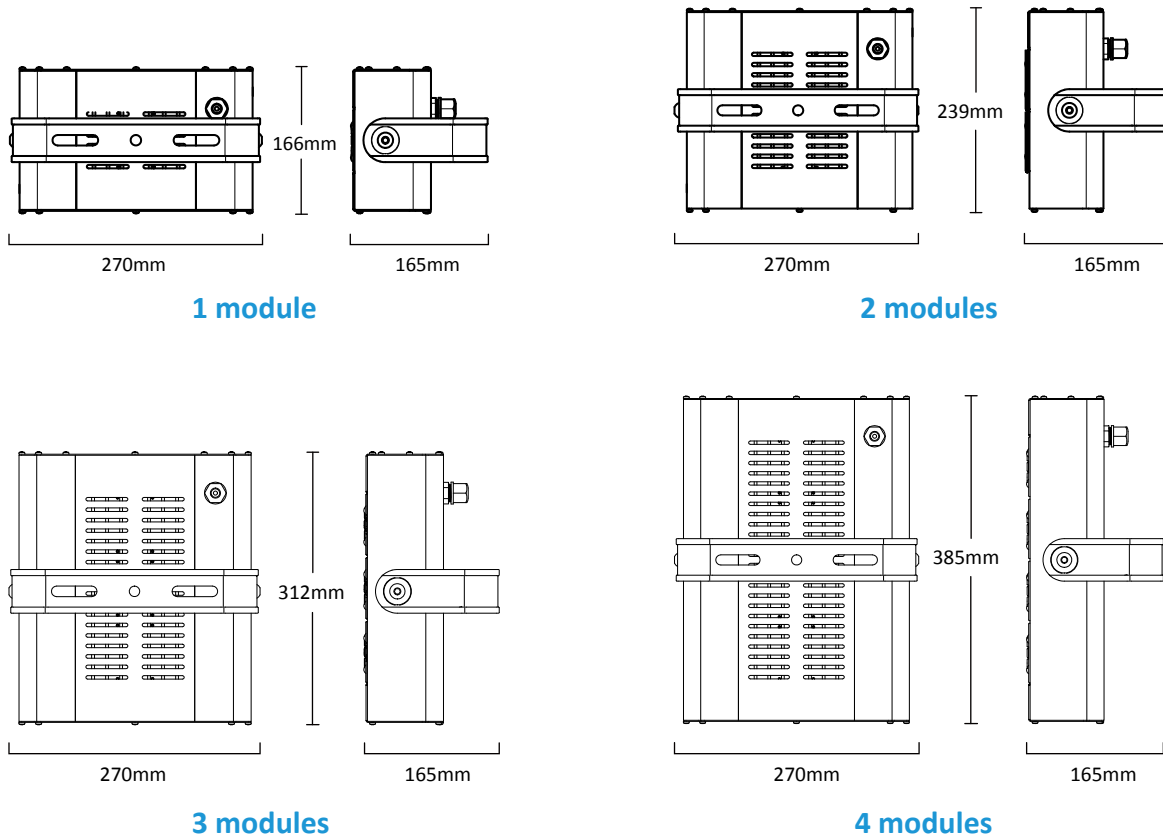
UL standard connection.



With a non-corrosive material, not only exquisite appearance, but also no corrosion concerns.

DETAILED FEATURES

Dimension



Electrical & Photometric

★ 3030 Version

Number of Modules	Model	LED Working Current	Power	Luminaire Efficacy (+/- 5%)	Lumen Output (+/- 5%)	Input Voltage	LED Brand	Driver Brand	Light Distributions	CCT (K)	Lifetime (h)
1	ZGSM-SDD40H4	95mA	40W	140 lm / w	5600 lm	100-240V /277V AC 50 /60Hz	Philips Lumileds 3030 2D	MeanWell Inventronics	TypeI, Medium TypeII, Medium TypeIII, Medium TypeV, Short	3000* 4000 5000 5700	>100,000 (L70)
	ZGSM-SDD50H5	115mA	50W	130 lm / w	6500 lm						
	ZGSM-SDD60H6	145mA	60W	125 lm / w	7500 lm						
2	ZGSM-SDD80H4	100mA	80W	140 lm / w	11200 lm						
	ZGSM-SDD100H5	120mA	100W	130 lm / w	13000 lm						
	ZGSM-SDD120H6	145mA	120W	125 lm / w	15000 lm						
3	ZGSM-SDD120H4	100mA	120W	140 lm / w	16800 lm						
	ZGSM-SDD150H5	120mA	150W	130 lm / w	19500 lm						
	ZGSM-SDD180H6	145mA	180W	125 lm / w	22500 lm						
4	ZGSM-SDD160H4	100mA	160W	140 lm / w	22400 lm						
	ZGSM-SDD200H5	120mA	200W	130 lm / w	26000 lm						
	ZGSM-SDD240H6	145mA	240W	125 lm / w	30000 lm						

*Luminous Efficacy of 3000K is 5% lower than other CCTs.

★ 5050 Version

Number of Modules	Model	LED Working Current	Power	Luminaire Efficacy (+/- 5%)	Lumen Output (+/- 5%)	Input Voltage	LED Brand	Driver Brand	Light Distributions	CCT (K)	Lifetime (h)
1	ZGSM-SDD40H4	48mA	40W	165 lm /w	6600 lm	100-240V /277V AC 50 /60Hz	Philips Lumileds 5050	MeanWell Inventronics	TypeII, Medium TypeIII, Medium TypeV, Short	3000* 4000 5000 5700	>100,000 (L70)
	ZGSM-SDD50H5	59mA	50W	160 lm /w	8000 lm						
	ZGSM-SDD60H6	75mA	60W	155 lm /w	9300 lm						
2	ZGSM-SDD80H4	50mA	80W	165 lm /w	13200 lm						
	ZGSM-SDD100H5	61mA	100W	160 lm /w	16000 lm						
	ZGSM-SDD120H6	75mA	120W	155 lm /w	18600 lm						
3	ZGSM-SDD120H4	50mA	120W	165 lm /w	19800 lm						
	ZGSM-SDD150H5	58mA	150W	160 lm /w	24000 lm						
	ZGSM-SDD180H6	75mA	180W	155 lm /w	27900 lm						
4	ZGSM-SDD160H4	50mA	160W	165 lm /w	26400 lm						
	ZGSM-SDD200H5	58mA	200W	160 lm /w	32000 lm						
	ZGSM-SDD240H6	75mA	240W	155 lm /w	37200 lm						

*Luminous Efficacy of 3000K is 5% lower than other CCTs.

★ 3535 Version

Number of Modules	Model	LED Working Current	Power	Luminaire Efficacy (+/- 5%)	Lumen Output (+/- 5%)	Input Voltage	LED Brand	Driver Brand	Light Distributions	CCT (K)	Lifetime (h)
1	ZGSM-SDD40H	860mA	40W	110 lm /w	4400 lm	100-240V /277V AC 50 /60Hz	Philips Lumileds Luxeon TX	MeanWell Inventronics	TypeI, Medium TypeII, Medium TypeIII, Medium TypeV, Short	3000* 4000 5000 5700	>100,000 (L70)
2	ZGSM-SDD80H	900mA	80W	110 lm /w	8800 lm						
3	ZGSM-SDD120H	900mA	120W	110 lm /w	13200 lm						
4	ZGSM-SDD160H	900mA	160W	110 lm /w	17600 lm						

*Luminous Efficacy of 3000K is 5% lower than other CCTs.

Working Environment & Packing

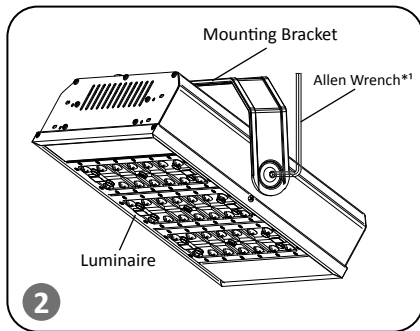
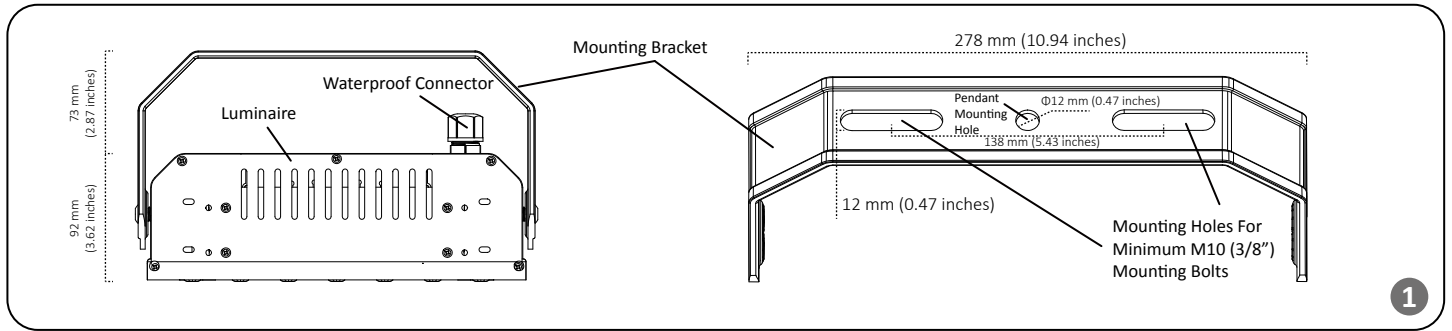
Number of Modules	Product Dimensions (mm)	Carton Size (mm)	N.W (kg)	G.W (kg)	Working Environment	Storage Temperature	Rating	CRI	Power Factor	Power Efficiency	Material
1	166*270*165	285*370*200	2.3	3.0	-40 °C ~ +50 °C 10% ~ 90%RH	-40 °C ~ +50 °C	Class I IP66 IK10	>70	>0.95	>90%	Housing: Aluminium Alloy; Lens: PC
2	239*270*165	355*370*200	3.5	4.3							
3	312*270*165	430*370*200	4.4	5.2							
4	385*270*165	505*370*200	5.2	6.1							

Note: Above data of weight are all typical values.

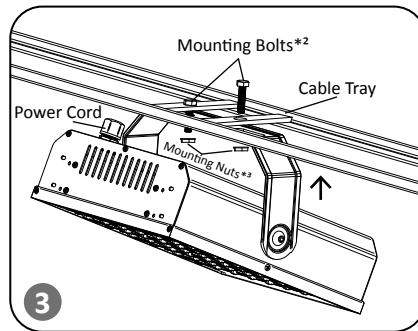
Certification

Manufacturer
ISO9001, ISO14001
H Series [ZGSM-SDD40H, ZGSM-SDD80H, ZGSM-SDD120H, ZGSM-SDD160H]
CE, ROHS, GS, CB, SAA, LM80
H4/H5 Series [ZGSM-SDD40H4, ZGSM-SDD80H4, ZGSM-SDD120H4, ZGSM-SDD160H4 ZGSM-SDD50H5, ZGSM-SDD100H5, ZGSM-SDD150H5, ZGSM-SDD200H5]
CE, ROHS, LM80
H6 Series [ZGSM-SDD60H6, ZGSM-SDD120H6, ZGSM-SDD180H6, ZGSM-SDD240H6]
CE, ROHS, LM80

Installation

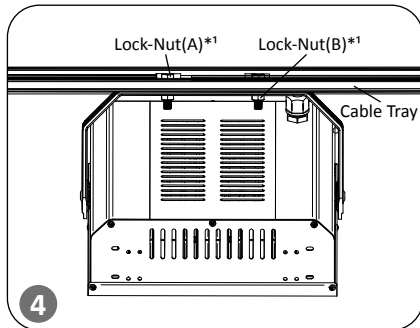


- *1 Allen Wrench: 8mm (5/16")
- *2 Minimum M10 (3/8") Bolts (not-provided)
- *3 Mounting Nuts are not provided

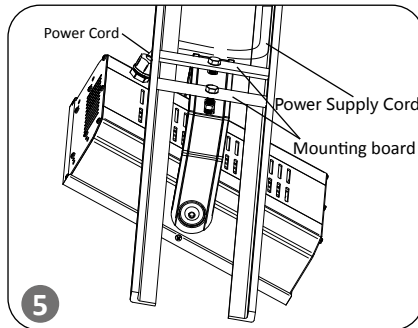


STEP 1:
Adjust first the bracket position, to a needed installation angle, then use the wrench to fix the bracket, as shown in Fig2.

STEP 2
Hold up the fixture, align the screw holes of the fixture and the installation bridge, as shown in Fig3.



- *1 Lock Nuts are not provided
- *2 Customize the Mounting board according to actual requirements.



STEP 3
Use tool to tighten the screws on the bracket, as shown in Fig4.

STEP 4
The corresponding connection, as shown in Fig5.

⚠ WARNING

- Disconnect or turn off power before installation, maintenance or service.
- Allow lamp/fixture to cool before handling.
- Do not touch enclosure or light source.
- Verify that supply voltage is correct by comparing it with the luminaire label information.
- Power supply connections should be insulated and waterproof.

⚠ CAUTION

- Keep combustible and other materials that can burn away from lamp/lens.
- Do not operate in close proximity to persons, combustible materials or substances affected by heat or dying.
- Wear gloves and safety glasses at all times when removing luminaire from carton, installing, servicing or performing maintenance.
- Avoid direct eye exposure to the light source when it is on.