

# Kmini2-SERIES



SAVE TODAY'S ENERGY FOR TOMORROW



ISO9001  
ISO14001  
ISO50001



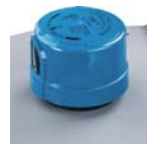
**5** YEAR  
WARRANTY

## LED STREET LIGHTS



**Easy Maintenance**

Tool-less to open the cover of driver box



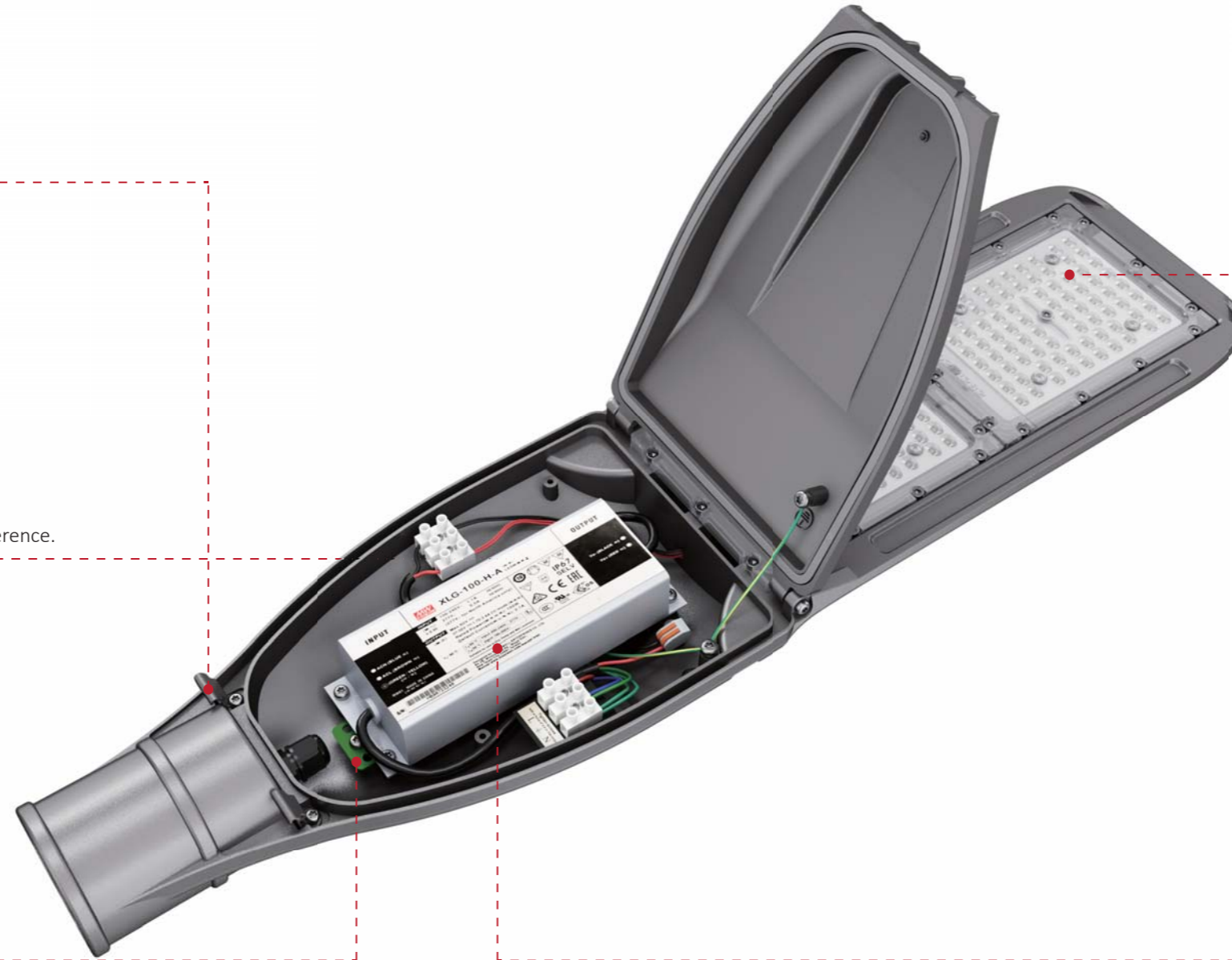
**Photocell available**

Lamp will Auto turn on and off according to lux difference.



**Surge protection device(10KV)**

To provide more reliable guarantee for LED driver, extend the life of the product.



**High-efficacy LED light source**



Philips Lumileds 3030 2D  
Greater than 150lm/W high efficacy, illumination grade LED light source.



Philips Lumileds 5050  
Greater than 185lm/W high efficacy, illumination grade LED light source.

**LED power supply**



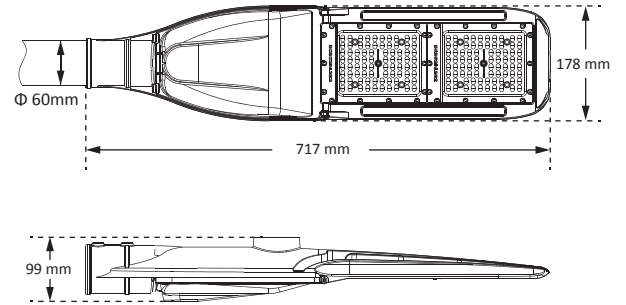
**+ NON-DIMMABLE**

High-end MeanWell XLG Series LED driver, optimal stability, performance and lifespan.



**+ DIMMABLE**

High-end programmable Inventronics LED driver, integrate dimming function and surge protection. Provide excellent performance and lifespan.



### Electrical & Photometric

#### ★ 3030 Version

Series	Model	LED Qty/ Current	Power	Luminaire efficacy (+/- 5%)	Lumen Output (+/- 5%)	Input Voltage	LED Brand	Driver Brand	Light Distributions	CCT (K)	Surge Protection Device	Lifetime (h)
Kmini2	ZGSM-LD60Kmini2	80units /116mA	60W	140 lm /w	8400 lm	100-240V /277V AC 50 /60Hz	Philips Lumileds 3030 2D	MeanWell Inventronics	TypeII, Medium	3000* 4000 5000 5700	10KV (20KV optional)	>100,000 (L70)
	ZGSM-LD60Kmini2+	160units /58mA	60W	153 lm /w	9180 lm							
	ZGSM-LD70Kmini2	80units /135mA	70W	135 lm /w	9450 lm							
	ZGSM-LD70Kmini2+	160units /68mA	70W	153 lm /w	10710 lm							
	ZGSM-LD80Kmini2	112units /112mA	80W	144 lm /w	11520 lm							
	ZGSM-LD80Kmini2+	160units /78mA	80W	153 lm /w	12240 lm							
	ZGSM-LD90Kmini2	112units /126mA	90W	140 lm /w	12600 lm							
	ZGSM-LD90Kmini2+	160units /88mA	90W	150 lm /w	13500 lm							
	ZGSM-LD100Kmini2	112units /140mA	100W	137 lm /w	13700 lm							
	ZGSM-LD100Kmini2+	160units /98mA	100W	146 lm /w	14600 lm							
	ZGSM-LD110Kmini2	160units /110mA	110W	143 lm /w	15730 lm							
	ZGSM-LD120Kmini2	160units /118mA	120W	140 lm /w	16800 lm							
	ZGSM-LD130Kmini2	160units /126mA	130W	136 lm /w	17680 lm							

\*Luminous Efficacy of 3000K is 5% lower than other CCTs.

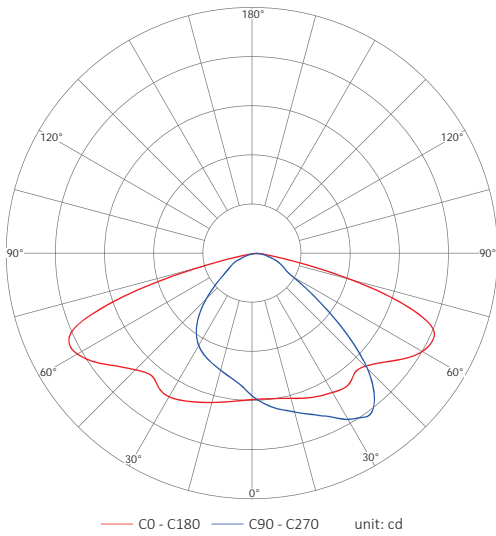
#### ★ 5050 Version

Series	Model	LED Qty/ Current	Power	Luminaire efficacy (+/- 5%)	Lumen Output (+/- 5%)	Input Voltage	LED Brand	Driver Brand	Light Distributions	CCT (K)	Surge Protection Device	Lifetime (h)
Kmini2	ZGSM-LD60Kmini2	32units /76mA	60W	153 lm /w	9180 lm	100-240V /277V AC 50 /60Hz	Philips Lumileds 5050	MeanWell Inventronics	TypeII, Medium (BLS)	3000* 4000 5000 5700	10KV (20KV optional)	>100,000 (L70)
	ZGSM-LD60Kmini2+	56units /44mA	60W	163 lm /w	9780 lm							
	ZGSM-LD70Kmini2	32units /89mA	70W	150 lm /w	10500 lm							
	ZGSM-LD70Kmini2+	56units /51mA	70W	160 lm /w	11200 lm							
	ZGSM-LD80Kmini2	44units /75mA	80W	156 lm /w	12480 lm							
	ZGSM-LD80Kmini2+	56units /59mA	80W	160 lm /w	12800 lm							
	ZGSM-LD90Kmini2	44units /85mA	90W	153 lm /w	13770 lm							
	ZGSM-LD90Kmini2+	56units /66mA	90W	157 lm /w	14130 lm							
	ZGSM-LD100Kmini2	44units /94mA	100W	150 lm /w	15000 lm							
	ZGSM-LD100Kmini2+	56units /74mA	100W	154 lm /w	15400 lm							
	ZGSM-LD110Kmini2	56units /82mA	110W	155 lm /w	17050 lm							
	ZGSM-LD120Kmini2	56units /90mA	120W	152 lm /w	18240 lm							
	ZGSM-LD130Kmini2	56units /97mA	130W	150 lm /w	19500 lm							

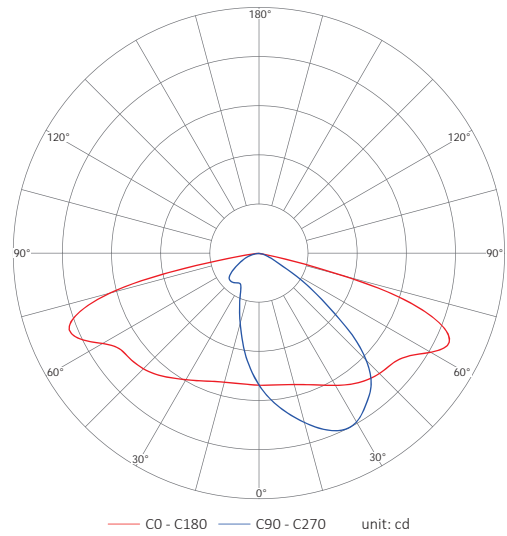
\*Luminous Efficacy of 3000K is 5% lower than other CCTs.

### Light Distribution Diagram

3030 Version TYPE II



5050 Version TYPE II BLS

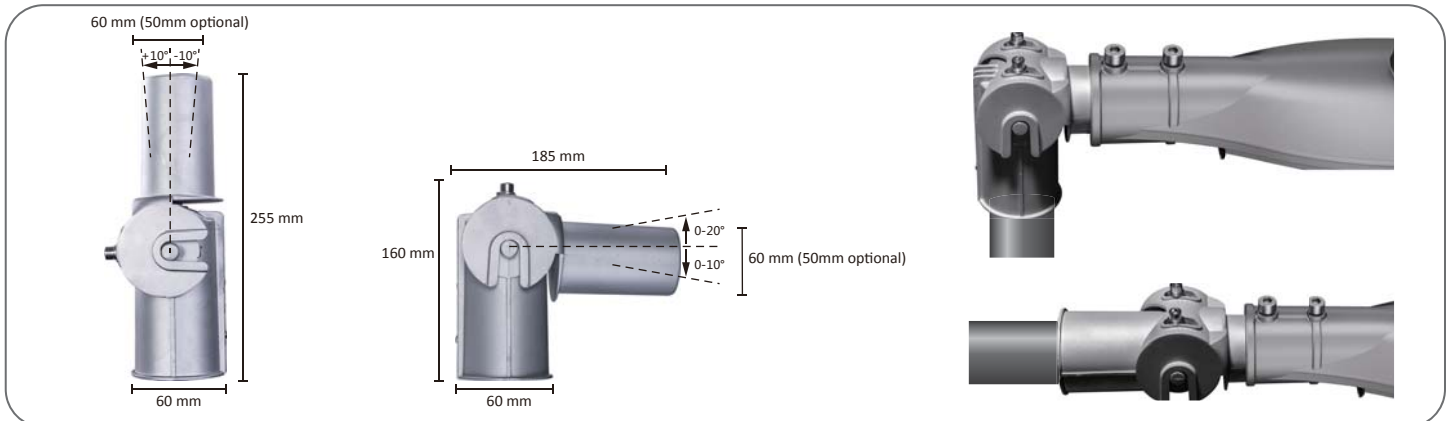


### Working Environment & Packing

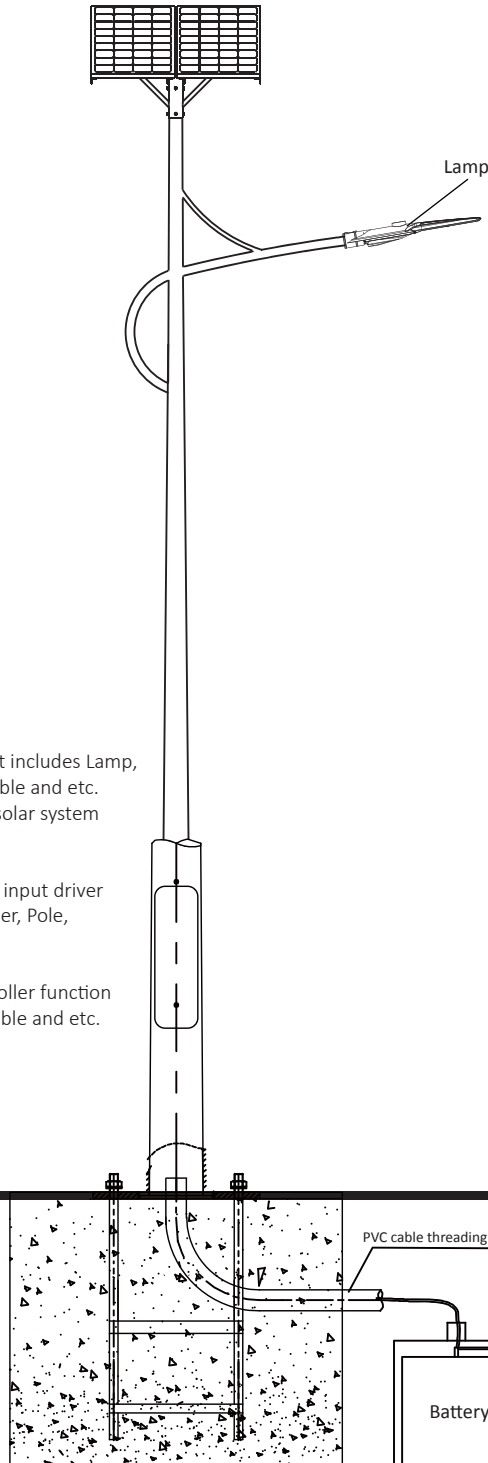
Model	Product Dimensions (mm)	Carton Size (mm)	N.W (kg)	G.W (kg)	Working Environment	Storage Temperature	Rating	CRI	Power Factor	Power Efficiency	Material	Pole Diameter (mm)
ZGSM-LD60Kmini2	717*178*99	735*195*120	3.62	4.20	-40 °C ~ +50 °C 10% ~ 90%RH	-40 °C ~ +50 °C	Class I IP66 IK10	>70	>0.95	>90%	Housing: Die-cast aluminum Lens: PC	60
ZGSM-LD70Kmini2	717*178*99	735*195*120	3.62	4.20								
ZGSM-LD80Kmini2	717*178*99	735*195*120	3.62	4.20								
ZGSM-LD90Kmini2	717*178*99	735*195*120	3.62	4.20								
ZGSM-LD100Kmini2	717*178*99	735*195*120	3.62	4.20								
ZGSM-LD110Kmini2	717*178*99	735*195*120	3.84	4.42								
ZGSM-LD120Kmini2	717*178*99	735*195*120	3.84	4.42								
ZGSM-LD130Kmini2	717*178*99	735*195*120	3.84	4.42								

Note: Above data of weight are all typical values.

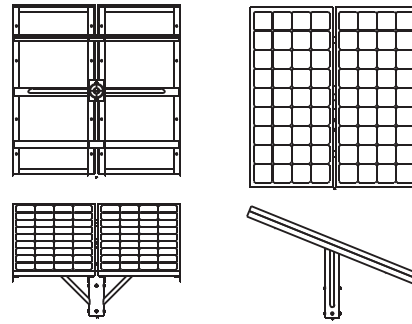
### Optional accessories



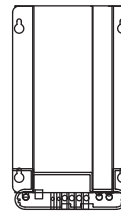
### Solar Street Light System



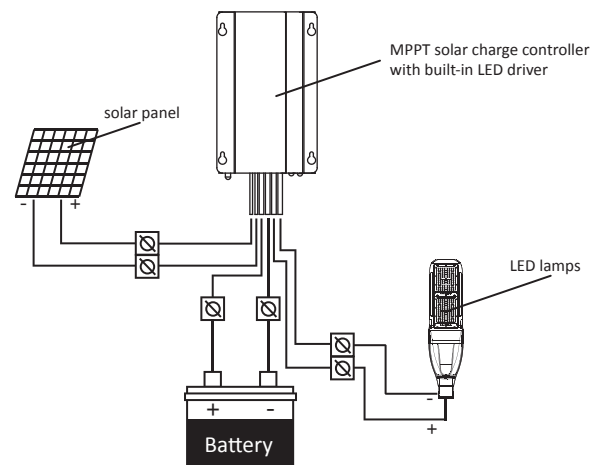
#### SOLAR PANEL



#### CONTROLLER



#### PARTS CONNECTION DIAGRAM



**GROUND**

Model list:  
 ZGSM-LD60Kmini2,  
 ZGSM-LD70Kmini2,  
 ZGSM-LD80Kmini2,  
 ZGSM-LD90Kmini2,  
 ZGSM-LD100Kmini2,

A complete set of Solar street light includes Lamp, Battery, Panel, Controller, Pole, Cable and etc. ZGSM also provides solutions for solar system based on Kmini series.

#### Option 1

ZGSM Street Light with DC12/24V input driver  
 Rest parts: Battery, Panel, Controller, Pole, Cable and etc.

#### Option 2

ZGSM Street light combines controller function  
 Rest parts: Battery, Panel, Pole, Cable and etc.

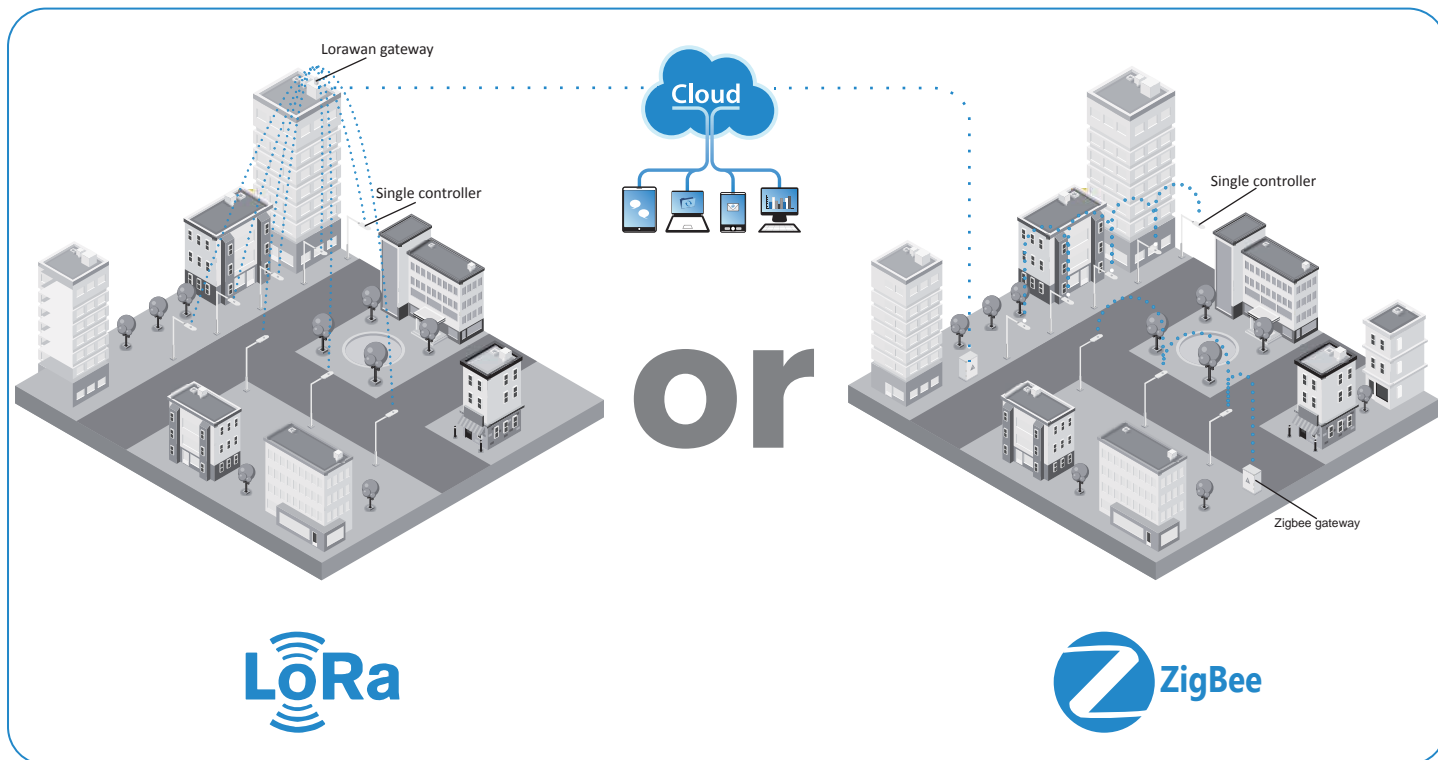
#### Customized service

Due to each city has its own sunshine condition, and customers have different working hours and rainy days on request.

If you want to know more exact configuration, please contact us for below questions:

1. What is the geographical location your solar LED street lighting system will be installed?
2. How many hours per night the LED street light works?
3. How many days to backup in case of continuous rainy days?
4. Do you need dimming the LED street light (during the off-peak hours)?
5. Do you have any other requirements?

**Intelligence Street Lighting System**



ZGSM provides a total solution for intelligence street lighting system.

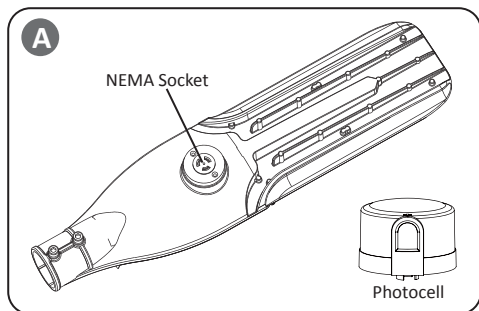
ZGSM street light intelligence system is made up by software, gateway, single light controller. The gateway is installed in the distribution cabinet, the single light controller is installed in the lighting terminal. It proceeds with communication via GPRS/ CDMA/ WCDMA wireless network or cable network & monitor center and proceeds with communication via ZIGBEE/ LORA.

Gateway can control each single light controller via receiving, executing, forwarding PC management software, which can control each lamp's switching on/ off or dimming, then save electric energy. It can also monitor the lamps' electric energy to achieve failure lamps function. Gateway can built-in DO to achieve street light loop control, it can connect with other equipment to collect local illumination, temperature and other information, feedback to PC management software and achieve to monitor the current information.

At present, all our series of LED street lights can be combined with the intelligence street lighting system. If you want to know more, please contact ZGSM Team.

**Optical Control**

*Optical control function is supported by optional*



If the fixture with PHOTOCELL function, the NEMA Socket will be installed on the cover of fixture. See **A**. Fit the pins of Photocell to NEMA Socket, firmly insert and rotate Photocell to proper position.

<Verifying>

Make sure all the connections done and photocell is well installed on the fixture, switch on the power supply and cover the window of NEMA Socket, wait 5 seconds, the fixture will be turned on.