

# STELLAR LED Flood Light



## Areas of application

- Replacement for floodlights of halogen flood lights
- Garages
- Public areas
- Building facades
- Construction areas
- Billboard

## Product Benefits

- Ideal for retro-fit of existing halogen fixtures
- No upper light output ratio (ULOR 0%) when mounted at 0° tilt
- Optimized weight and size due to compact design
- Energy savings of up to 90 % compared to halogen flood lights
- No mercury or other hazardous materials
- 2 years warranty

## Product Features

- Luminaire efficacy: up to 120 lm/w
- Symmetrical beam angle: 110° x 110°
- Angled (30°) mounting bracket and up to 180° tilting
- Type of protection: IP66
- Impact resistance: IK08
- Available with PIR Sensor



## Product Datasheet

### Electrical Specifications:

|                   |                       |              |              |              |
|-------------------|-----------------------|--------------|--------------|--------------|
| Model No.         | ZGSM-FL08-10          | ZGSM-FL08-20 | ZGSM-FL08-30 | ZGSM-FL08-50 |
| Nominal Wattage   | 10W                   | 20W          | 30W          | 50W          |
| Nominal Voltage   | AC 220-240V           |              |              |              |
| Mains Frequency   | 50 /60Hz              |              |              |              |
| LED               | SMD2835               |              |              |              |
| Driver            | Integrated LED driver |              |              |              |
| Power Factor (PF) | > 0.95                |              |              |              |
| THD               | < 15                  |              |              |              |
| SPD               | 2KV                   |              |              |              |

### Photometric Specifications:

|                                      |              |           |           |           |
|--------------------------------------|--------------|-----------|-----------|-----------|
| Luminous Efficacy ( ±5%)             | 120 lm /w    | 120 lm /w | 115 lm /w | 115 lm /w |
| Lumen Output ( ±5%)                  | 1200 lm      | 2400 lm   | 3450 lm   | 5750 lm   |
| Optic                                | 110° x110°   |           |           |           |
| Standard Deviation of Color Matching | <5 SDCM      |           |           |           |
| CRI                                  | 80           |           |           |           |
| CCT                                  | 4000K, 5000K |           |           |           |

### Dimension & Weight

|                        |               |               |               |               |
|------------------------|---------------|---------------|---------------|---------------|
| Fixture Dimension (mm) | 88 x27 x112   | 108 x27 x137  | 134 x31 x161  | 171 x32 x207  |
| Fixture Weight (kg)    | 0.2           | 0.3           | 0.5           | 0.8           |
| Packing Type           | 36units /ctn  | 30units /ctn  | 20units /ctn  | 12units /ctn  |
| Packing Dimension (mm) | 335 x250 x210 | 360 x190 x315 | 350 x205 x300 | 370 x245 x235 |
| Packing Weight (kg)    | 8.6           | 10.6          | 11.8          | 11.1          |

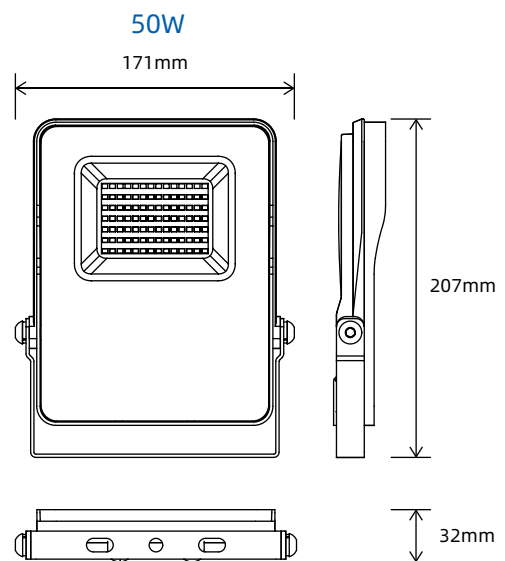
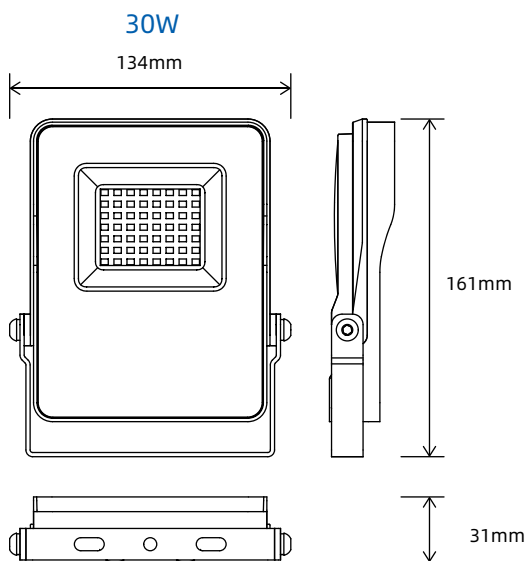
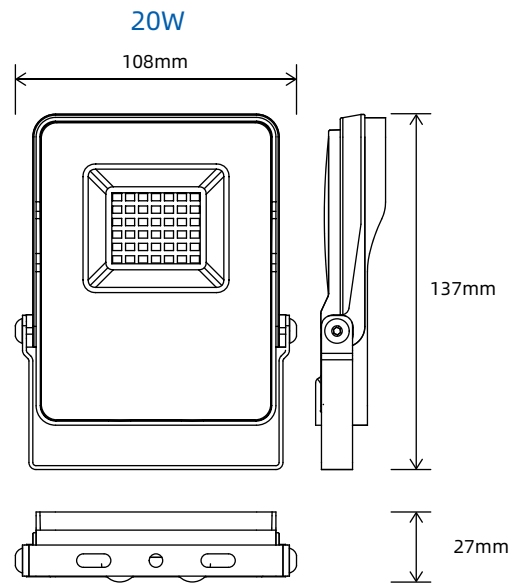
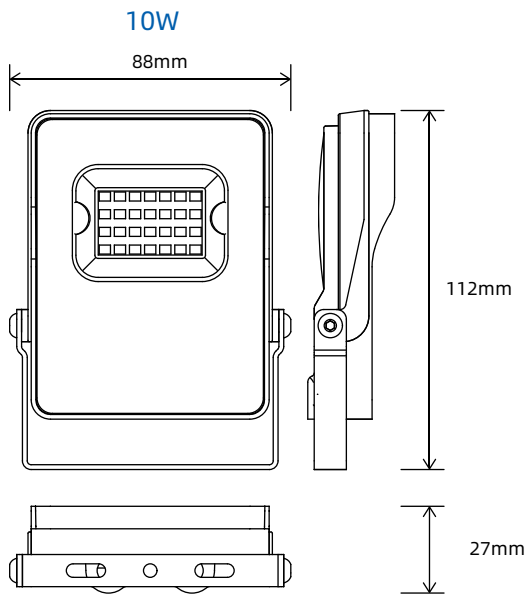
### Mechanical Specifications

|                            |                            |
|----------------------------|----------------------------|
| Body Material              | Aluminum                   |
| Housing Color              | Black                      |
| Cover Material             | Tempered glass             |
| Cable Length               | 200 mm                     |
| Ambient Temperature Range  | -40°C ~ +50°C              |
| Number of Switching Cycles | 100, 000                   |
| Lifespan L70 at 25 °C      | 50000 h                    |
| Mounting Type              | Surface                    |
| Mounting Location          | Wall /Pole /Floor /Ceiling |
| Adjustable                 | Yes                        |
| Dimmable                   | No                         |
| Type of Connection         | Cable, 3-pole              |
| LED Module Replaceable     | Not replaceable            |

### Certificates & standards

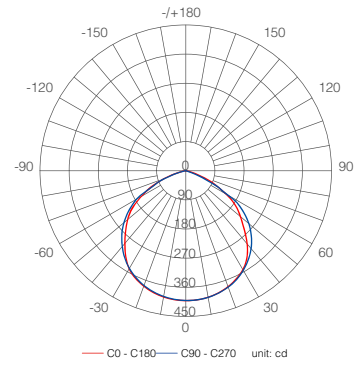
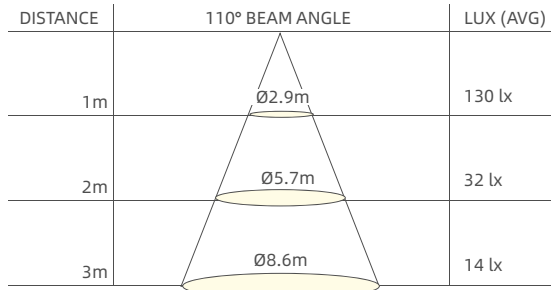
|  |          |
|--|----------|
| Protection Class IK (shock resistance) | IK08     |
| Protection Class                       | Class I  |
| Type of Protection                     | IP66     |
| Standards                              | CE /RoHS |

Dimension

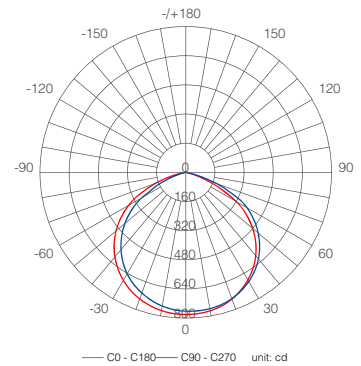
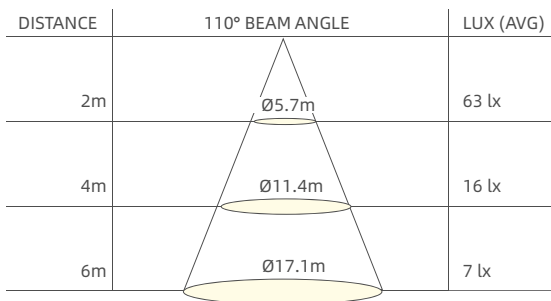


# Optics

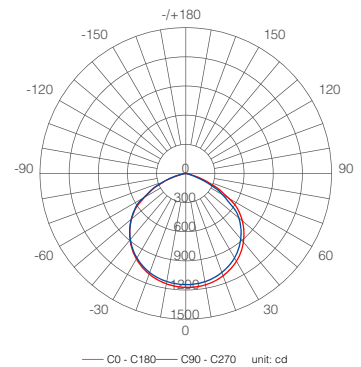
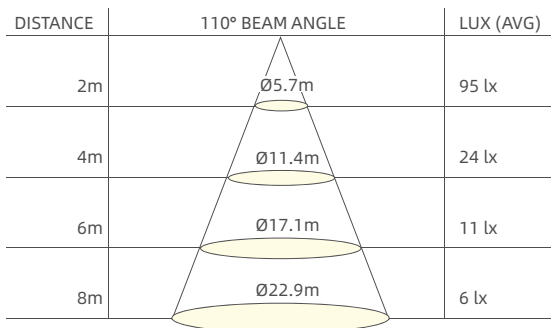
## 10 WATTS



## 20 WATTS



## 30 WATTS



## 50 WATTS

